
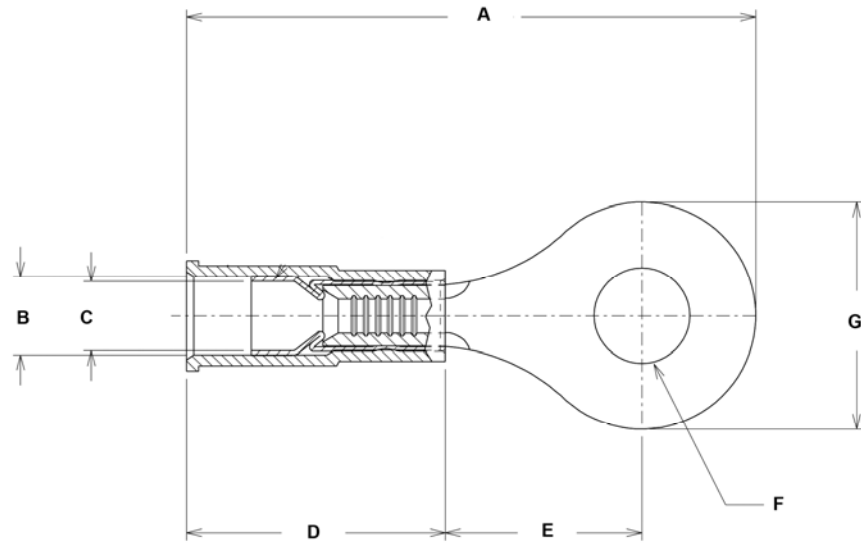


ADVANCED CABLE TIES PART NUMBER	A IN (mm) +/- .005 (.127mm)	B IN (mm) +/- .005 (.127mm)	C IN (mm) +/- .005 (.127mm)	D IN (mm) +/- .005 (.127mm)	E IN (mm) +/- .005 (.127mm)	F IN (mm) +/- .005 (.127mm)	G IN (mm) +/- .005 (.127mm)	COLOR/MATERIAL	COPPER COND. RANGE	REGULATORY	
AL-R4A-6-C	.739 (.029mm)	.150 (.0059mm)	.145 (.0057mm)	.450 (.018mm)	.202 (.008mm)	.146 (.0057mm)	.225 (.0088mm)	RED/VINYL	22-18	UL/CSA	
AL-R4A-8-C	.896 (.035mm)	.150 (.0059mm)	.145 (.0057mm)	.450 (.018mm)	.290 (.011mm)	.171 (.0067mm)	.312 (.0122mm)	RED/VINYL	22-18	UL/CSA	
AL-R4A-10-C	.906 (.036mm)	.150 (.0059mm)	.145 (.0057mm)	.450 (.018mm)	.305 (.012mm)	.190 (.0074mm)	.312 (.0122mm)	RED/VINYL	22-18	UL/CSA	
AL-R4A-14-C	1.089 (.036mm)	.150 (.0059mm)	.145 (.0057mm)	.450 (.018mm)	.430 (.017mm)	.265 (.0104mm)	.466 (.0183mm)	RED/VINYL	22-18	UL/CSA	
AL-R4A-38-C	1.288 (.051mm)	.150 (.0059mm)	.145 (.0057mm)	.450 (.018mm)	.605 (.024mm)	.390 (.0153mm)	.537 (.0211mm)	RED/VINYL	22-18	UL/CSA	
AL-R4A-56-C	1.086 (.043mm)	.150 (.0059mm)	.145 (.0057mm)	.450 (.018mm)	.445 (.018mm)	.320 (.0125mm)	.466 (.0183mm)	RED/VINYL	22-18	UL/CSA	
											
						ADVANCED CABLE TIES – RED VINYL INSULATED RING TERMINALS					
						COLOR: RED				MATERIAL:	
										VINYL	
						SHEET 1 OF 1			REV.: A		DRAWING NO.: VI-RT-R-A
A	5/22/14	JA	KT	KT	INITIAL RELEASE		DRAWN BY	DATE	CHECK	SCALE	
REV	DATE	BY	CHK	APPROVE	DESCRIPTION		JA	5/22/14	KT	NONE	

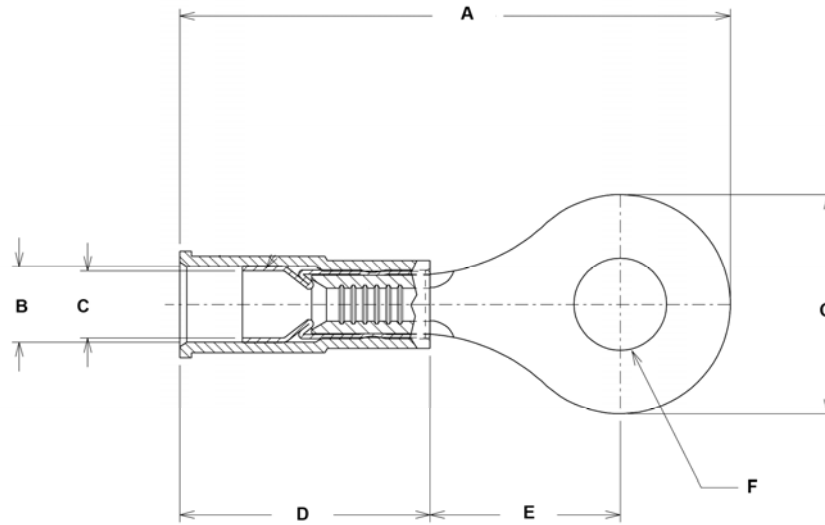
CONFIDENTIAL PROPERTY OF ADVANCED CABLE TIES, INC.


THIS DRAWING IS PROVIDED ON A RESTRICTED BASIS AND IS NOT TO BE USED IN ANY WAY DETRIMENTAL TO THE INTERESTS OF ADVANCED CABLE TIES, INC.



ADVANCED CABLE TIES PART NUMBER	A IN (mm) +/- .005 (.127mm)	B IN (mm) +/- .005 (.127mm)	C IN (mm) +/- .005 (.127mm)	D IN (mm) +/- .005 (.127mm)	E IN (mm) +/- .005 (.127mm)	F IN (mm) +/- .005 (.127mm)	G IN (mm) +/- .005 (.127mm)	COLOR/MATERIAL	COPPER COND. RANGE	REGULATORY
AL-R4B-6-C	.903 (22.936mm)	.175 (4.445mm)	.162 (4.115mm)	.450 (11.430mm)	.305 (7.747mm)	.146 (3.708mm)	.312 (7.925mm)	BLUE/VINYL	16-14	UL/CSA
AL-R4B-8-C	.906 (23.012mm)	.175 (4.445mm)	.162 (4.115mm)	.450 (11.430mm)	.305 (7.747mm)	.173 (4.394mm)	.312 (7.925mm)	BLUE/VINYL	16-14	UL/CSA
AL-R4B-10-C	.944 (23.978mm)	.175 (4.445mm)	.162 (4.115mm)	.450 (11.430mm)	.330 (8.382mm)	.200 (5.080mm)	.344 (8.738mm)	BLUE/VINYL	16-14	UL/CSA
AL-R4B-14-C	1.086 (27.584mm)	.175 (4.445mm)	.162 (4.115mm)	.450 (11.430mm)	.420 (10.668mm)	.268 (6.807mm)	.463 (11.760mm)	BLUE/VINYL	16-14	UL/CSA
AL-R4B-38-C	1.280 (32.512mm)	.175 (4.445mm)	.162 (4.115mm)	.450 (11.430mm)	.576 (14.630mm)	.391 (9.931mm)	.537 (13.640mm)	BLUE/VINYL	16-14	UL/CSA
AL-R4B-56-C	1.087 (27.610mm)	.175 (4.445mm)	.162 (4.115mm)	.450 (11.430mm)	.434 (11.023mm)	.330 (8.382mm)	.467(11.862mm)	BLUE/VINYL	16-14	UL/CSA
A	5/22/14	JA	KT	KT	INITIAL RELEASE					
REV	DATE	BY	CHK	APPROVE	DESCRIPTION	JA	5/22/14	KT	NONE	

CONFIDENTIAL PROPERTY OF ADVANCED CABLE TIES, INC.
 THIS DRAWING IS PROVIDED ON A RESTRICTED BASIS AND IS NOT TO BE USED IN ANY WAY DETRIMENTAL TO THE INTERESTS OF ADVANCED CABLE TIES, INC.



ADVANCED CABLE TIES PART NUMBER	A IN (mm) +/- .005 (.127mm)	B IN (mm) +/- .005 (.127mm)	C IN (mm) +/- .005 (.127mm)	D IN (mm) +/- .005 (.127mm)	E IN (mm) +/- .005 (.127mm)	F IN (mm) +/- .005 (.127mm)	G IN (mm) +/- .005 (.127mm)	COLOR/MATERIAL	COPPER COND. RANGE	REGULATORY
AL-R4C-6-C	1.049 (26.645mm)	.270 (6.858mm)	.188 (4.775mm)	.545 (13.843mm)	.327 (8.306mm)	.144 (3.658mm)	.376 (9.550mm)	YELLOW/VINYL	12-10	UL/CSA
AL-R4C-8-C	1.063 (27.000mm)	.270 (6.858mm)	.188 (4.775mm)	.545 (13.843mm)	.361 (9.169mm)	.172 (4.369mm)	.376 (9.550mm)	YELLOW/VINYL	12-10	UL/CSA
AL-R4C-10-C	1.055 (26.797mm)	.270 (6.858mm)	.188 (4.775mm)	.545 (13.843mm)	.344 (8.737mm)	.197 (5.004mm)	.376 (9.550mm)	YELLOW/VINYL	12-10	UL/CSA
AL-R4C-14-C	1.224 (31.090mm)	.270 (6.858mm)	.188 (4.775mm)	.545 (13.843mm)	.440 (11.176mm)	.264 (6.706mm)	.531 (13.487mm)	YELLOW/VINYL	12-10	UL/CSA
AL-R4C-38-C	1.330 (33.782mm)	.270 (6.858mm)	.188 (4.775mm)	.545 (13.843mm)	.509 (12.929mm)	.390 (9.906mm)	.591 (15.011mm)	YELLOW/VINYL	12-10	UL/CSA
AL-R4C-56-C	1.323 (33.604mm)	.270 (6.858mm)	.188 (4.775mm)	.545 (13.843mm)	.500 (12.700mm)	.330 (8.382mm)	.591 (15.011mm)	YELLOW/VINYL	12-10	UL/CSA
										
						ADVANCED CABLE TIES – YELLOW VINYL INSULATED RING TERMINALS				
						COLOR: YELLOW		MATERIAL: VINYL		
						SHEET 1 OF 1		REV.: A		DRAWING NO.: VI-RT-Y-A
A	5/22/14	JA	KT	KT	INITIAL RELEASE		DRAWN BY		DATE	
REV	DATE	BY	CHK	APPROVE	DESCRIPTION		JA		5/22/14	
CONFIDENTIAL PROPERTY OF ADVANCED CABLE TIES, INC.						THIS DRAWING IS PROVIDED ON A RESTRICTED BASIS AND IS NOT TO BE USED IN ANY WAY DETRIMENTAL TO THE INTERESTS OF ADVANCED CABLE TIES, INC.				